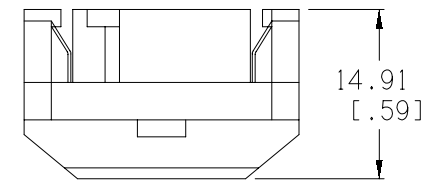
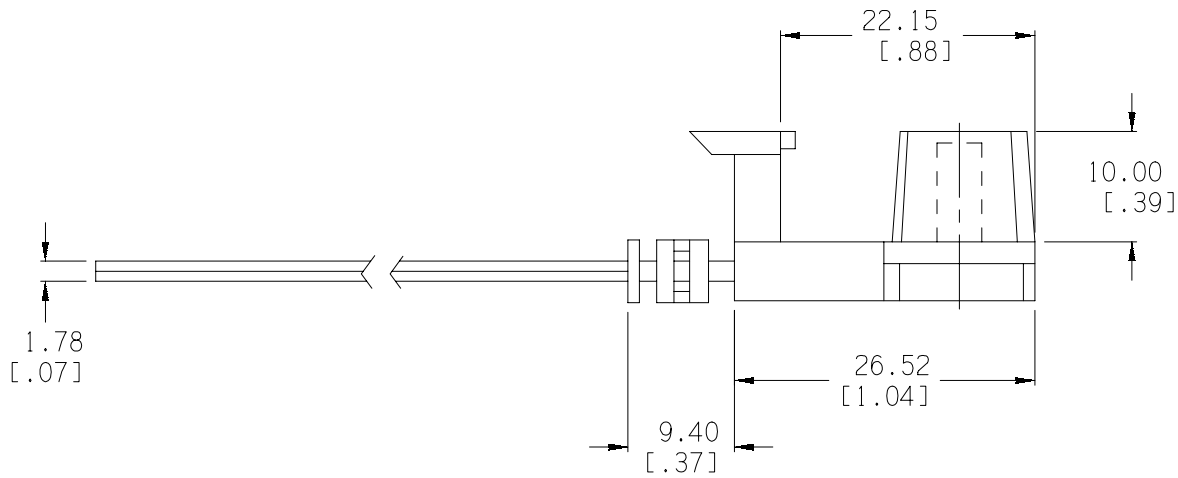



Date	SYM	REVISION RECORD	AUTH	DR.	CK.



HOUSING: BLACK PLASTIC
 CORD: UL2468, 300V, 80°C, 22-24AWG
 PASSES UL FLAME TEST VW-1
 FILE NO. E11278 OR EQUAL

Tolerance (Inches)	 Memory Protection Devices, Inc. 200 Broad Hollow Road, Farmingdale, New York 11735
Decimal ±.5 (.020)	
Fractional ± .8 (.030)	Title LEAD ACID BATTERY CLIP
Angular ± 3°	Date 02/03/01
	Drawing Number ZA5350B
	Scale Drawn By B.S. Approved By T.B.